



# CITY OF RIVERSIDE FIRE DEPARTMENT

*Serving Our Community for 125 Years*



## MEDIA RELEASE

FOR IMMEDIATE RELEASE – OCTOBER 1, 2019  
Media inquiries contact Fire Administration – 951-826-5321

### City of Riverside Fire Department Fire Prevention Week & Public Safety Expo

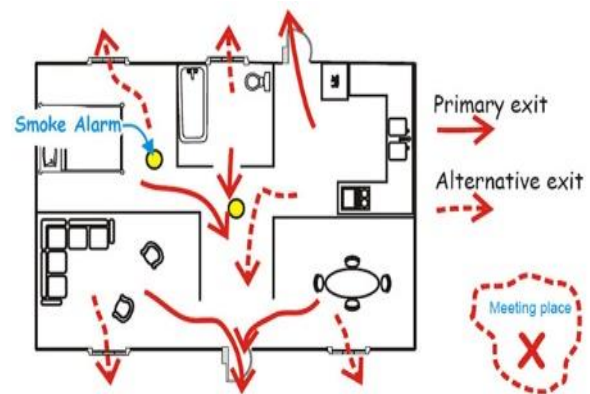
**RIVERSIDE – CA-** The City of Riverside Fire Department is teaming up with the National Fire Protection Association® (NFPA®) to promote this year's Fire Prevention Week campaign **October 6-12, 2019** this year's theme is **"Not Every Hero Wears a Cape. Plan and Practice Your Escape!"** The campaign works to educate everyone about the important actions people can take to keep themselves and those around them safe.

To kick off Fire Prevention Week, the Fire Department is hosting a **Public Safety Expo on Sunday, October 6, at Mission and Lime Streets from 1pm-4pm.** There will be activities for the whole family that will include; **Ladder Operations & Rappelling, Vehicle Extrication & Active Fire, along with Tours of the Fire Museum, AMR Hands Only CPR© training, Kids Fire Safety Trailer, Car Show, Fire Safety & CERT info Booths and much more!**

NFPA statistics show that in 2017 home structure fires caused 2,630 fire deaths and 10,600 fire injuries in the U.S. "Today's home fires burn faster, in a typical home fire; you may only have one or two minutes to escape from the time the smoke alarm sounds. So planning your 2 ways out in of each room in advance and practicing can increase the chances of everyone getting out safely," said Riverside Fire Chief Michael Moore.

Start by drawing a map for your home and following these guidelines from the NFPA:

- Plan two ways to escape from each room
- Make sure all doors and windows leading outside open easily
- Identify secondary routes – a window or a collapsible ladder from upper-story windows
- If you live in a multi-story building, plan to use the stairs – never the elevator
- Designate an outside meeting place a safe distance from the house where everyone should meet



Visit our Web page @ <http://riversideca.gov/fire/> or Follow us on



Sign up for automatic Fire Incident e-mail updates @  
[https://public.govdelivery.com/accounts/CARIVERSIDE/subscriber/new?topic\\_id=CARIVERSIDE\\_184](https://public.govdelivery.com/accounts/CARIVERSIDE/subscriber/new?topic_id=CARIVERSIDE_184)

For more general information about Fire Prevention Week and home escape planning, visit [www.fpw.org](http://www.fpw.org)



**CITY OF RIVERSIDE**  
**PUBLIC SAFETY EXPO**  
**2019**

**Sunday, October 6, 2019**  
1 to 4 PM • Mission Inn Ave. and Lime Street

Join the Riverside Fire Department for **FREE** activities for the whole family!

**SCHEDULED EVENTS**

Ladder Operations & Rappelling	Fire Station Museum Tours
Fire Extinguisher Demo	Learn Hands Only CPR®
Heavy Rescue Team Demo	Kids Fire Safety Trailer
Hazardous Materials Demo	Car Show
Vehicle Extrication Demo	Fire Safety, Fire Prevention & CERT info Booths
Active Fire Demo	



[RiversideCA.gov/Fire](http://RiversideCA.gov/Fire)

Visit our Web page @ <http://riversideca.gov/fire/> or Follow us on



Sign up for automatic Fire Incident e-mail updates @ [https://public.govdelivery.com/accounts/CARIVERSIDE/subscriber/new?topic\\_id=CARIVERSIDE\\_184](https://public.govdelivery.com/accounts/CARIVERSIDE/subscriber/new?topic_id=CARIVERSIDE_184)